

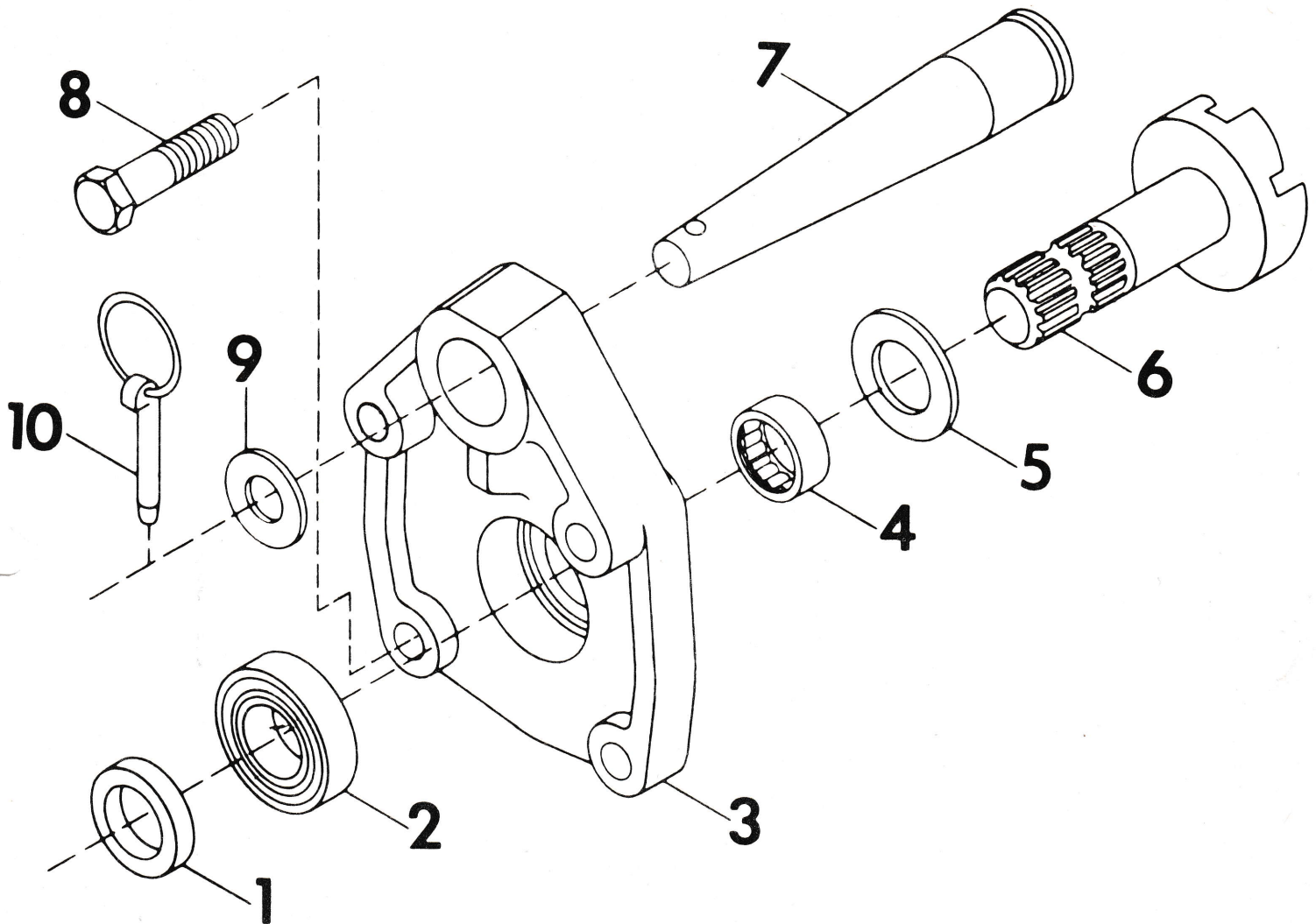


To continue its program of quality and design improvement, the manufacturer reserves the right to change specifications, design or prices without notice and without incurring obligation.

ILLUSTRATED PARTS LIST

IMPLEMENT QUICK HITCH KIT

Model Number 11898E1
 Effective Date 11-15-74
 Form Number 20915L1



<u>ITEM NO.</u>	<u>PART NO.</u>	<u>DESCRIPTION</u>
1	11841P1	Ring, Retaining
2	11293P1	Bearing, Ball 1.000 x 2.000 x .562
3	11901P1	Casting, Quick Hitch
4	11227P1	Bearing, Needle 1 x 1-1/4 x 1/2
5	11983P1	Bearing, Thrust 1.012 x 1.750 x .125
6	11872P1	Shaft, PTO Dog Clutch
7	11900P1	Pin, Pivot
8	180181	Bolt, Hex 1/2-13 x 2
9	131016	Washer, Flat 21/32 x 1-5/16 x .095
10	11902P1	Pin, Klik
NS	180188	Bolt, Hex 1/2-13 x 2-3/4